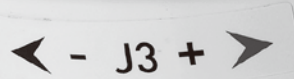
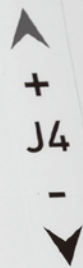


HIWIN®

MULTI-AXIS ROBOT



GREASE IN



HIWIN Support



About HIWIN

Articulated Robot

RA605-GB RA605-GC



RA605-710-GB

RA605-710-GC CE RoHS

Features

A compact sized articulated robot with arm length and payload similar to a human arm. Its flexible design and small footprint makes it perfect in applications like assembly lines. It can also be used in inverted applications to save space.

Application

Assembly, dispensing, visual inspection, small components loading and unloading, inverted application.

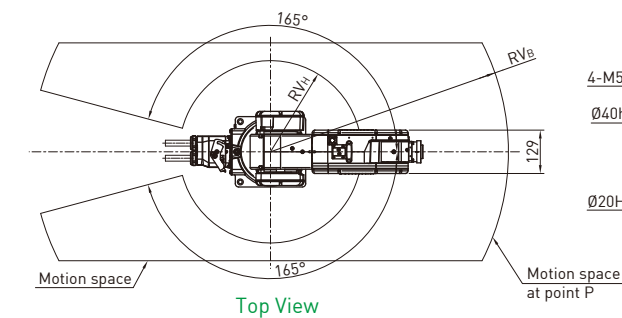
Model	RA605-GB		RA605-GC	
Degrees of freedom	6			
Rated payload[kg]	5			
Maximum payload[kg]	7			
Max. reach radius[mm]	710	909	710	909
Working range [deg]	J1	±165		
	J2	+85~-125		
	J3	+185~-55		
	J4	±190		
	J5	±115		
	J6	±360		
Repeatability[mm]	±0.02	±0.03	±0.02	±0.03
Cycle time[s]*Note 1	0.5			
Weight[kg]	40	45	40	45
Protection rating	IP32		IP65	
Controller	RCA605-GB		RCA605-GC	
Pneumatics	Three pneumatic solenoid valves connections		Two channel pneumatic connections	
Safety/Environmental standard	-		CE/RoHS2.0	

* Note 1: Based on a back-and-forth movement over a vertical distance of 25mm and a horizontal distance of 300mm.

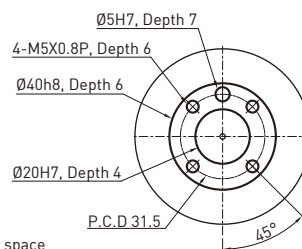
Dimensions

Model / Dimensions	V _A	V _B	V _C	V _D	V _E	V _F	V _G	V _H	V _I	V _J	V _K
RA605-710-GB	650	710	1215	1055	272	67	338	R242	R340	R429	340
RA605-710-GC											
RA605-909-GB	848.1	909.8	1571	1254.8	332	24.7	438	R302.5	R439.8	R564.3	440
RA605-909-GC											

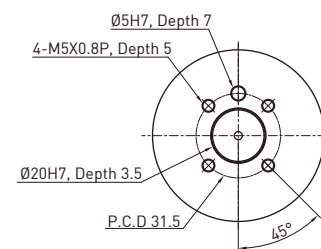
Unit:mm



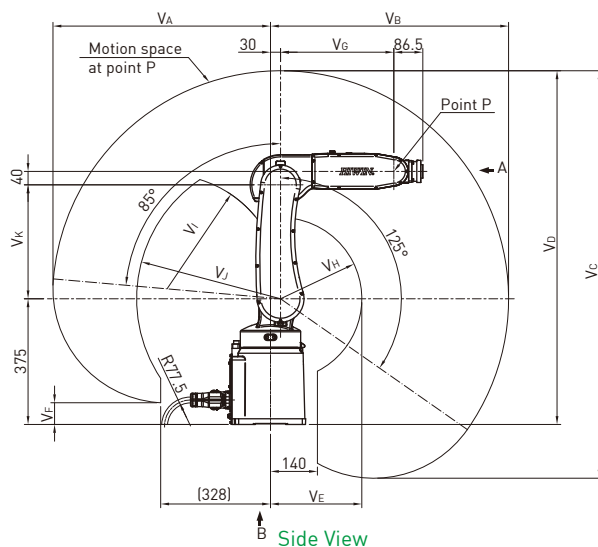
Top View



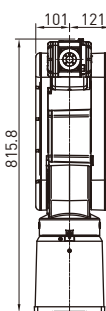
VIEW A
Mounting Flange Detail
(RA605-GC Series)



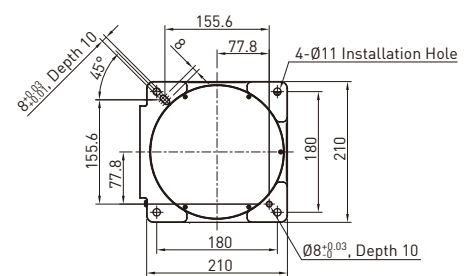
VIEW A
Mounting Flange Detail
(RA605-GB Series)



Side View



Front View



VIEW B
Installation Interface Detail

Articulated Robot

RA610-GC



RA610-1476-GC

RA610-1151-GC



Features

Slender and agile articulated robot with six degrees-of-freedom, it can meet customers' optimal load and work range requirements. The design is well-suited for machine tending applications. It can also be integrated with a vision system for material inspection.

Application

Packaging, deburring, dispensing, visual inspection, machine tending.

Model	RA610-GC				
Degrees of freedom	6				
Rated payload[kg]	30	12	10	10	7
Maximum payload[kg]	32	14	12	12	9
Max. reach radius[mm]	1151	1355	1476	1672	1869
Working range [deg]	J1	±170			
	J2	+85~-150	+95~-150		
	J3	+90~-80	+185~-85		
	J4	±190			
	J5	±130	±135		
	J6	±360			
Repeatability[mm]	±0.06	±0.05	±0.06		
Cycle time[s]*Note 1	1				
Weight[kg]	136	143	147	150	152
Protection rating	IP54(Wrist:IP65)				
Controller	RCA610-GC				
Pneumatics	Three pneumatic solenoid valves connections		Two channel pneumatic connections		
Safety/Environmental standard	CE/RoHS2.0				

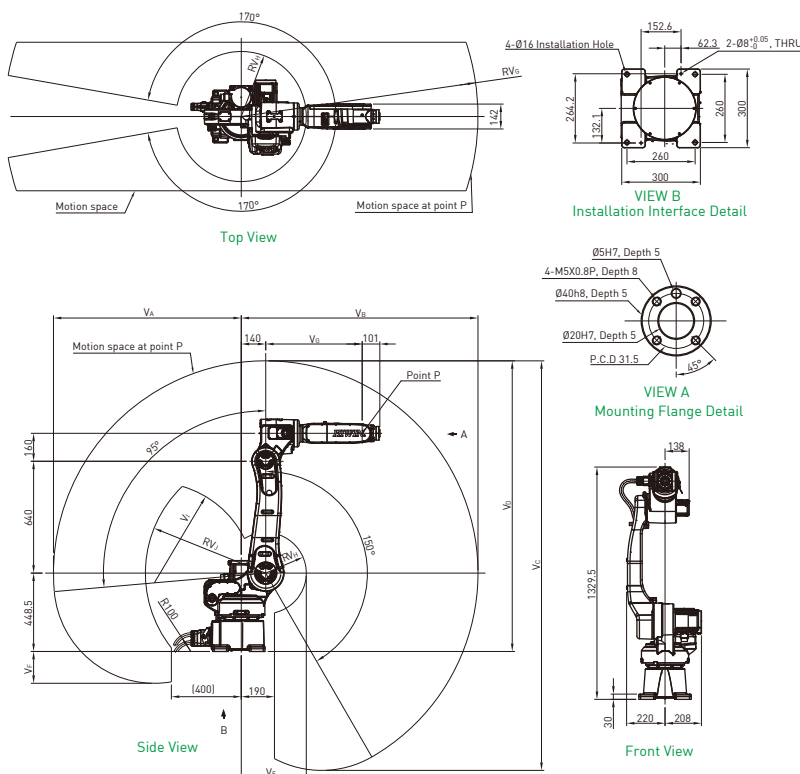
* Note 1: Based on a back-and-forth movement over a vertical distance of 25mm and a horizontal distance of 300mm.

Dimensions

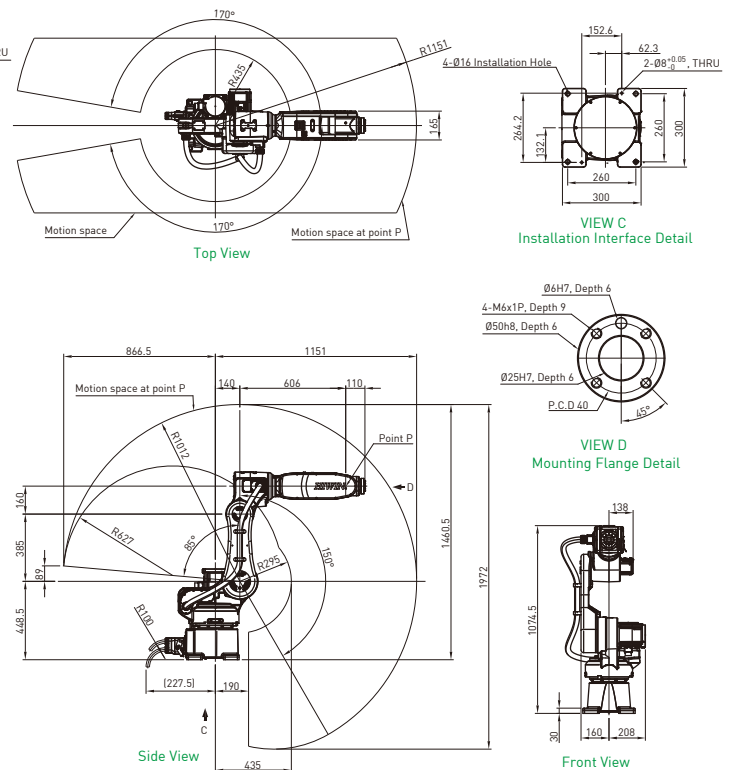
Model / Dimensions	V _A	V _B	V _C	V _D	V _E	V _F	V _G	V _H	V _I	V _J
RA610-1355-GC	1075	1355	2343	1663	372.5	182	552	R232.5	R575	R688
RA610-1476-GC	1196	1476	2587	1785	368	304	678	R228	R697	R784
RA610-1672-GC	1392	1672	2979	1981	463	500	878	R323	R892	R951
RA610-1869-GC	1589	1869	3374	2178	630	697	1078	R490	R1089	R1129

Unit:mm

RA610-GC



RA610-1151-GC



SCARA Robot

RS405

RS410



RS405 Standard

RS410 Protection



Features

High precision and high flexibility SCARA robot is widely used in various automation field. It can be easily integrated with peripheral control units and combined with linear modules, vision systems, end effectors etc. In addition to stand alone operations, it can also be used in a system workstations, and can easily adapt to changes in the production line to enhance quality and efficiency.

Application

Material handling, arranging, packaging, assembly, dispensing, component insertion, inspection.

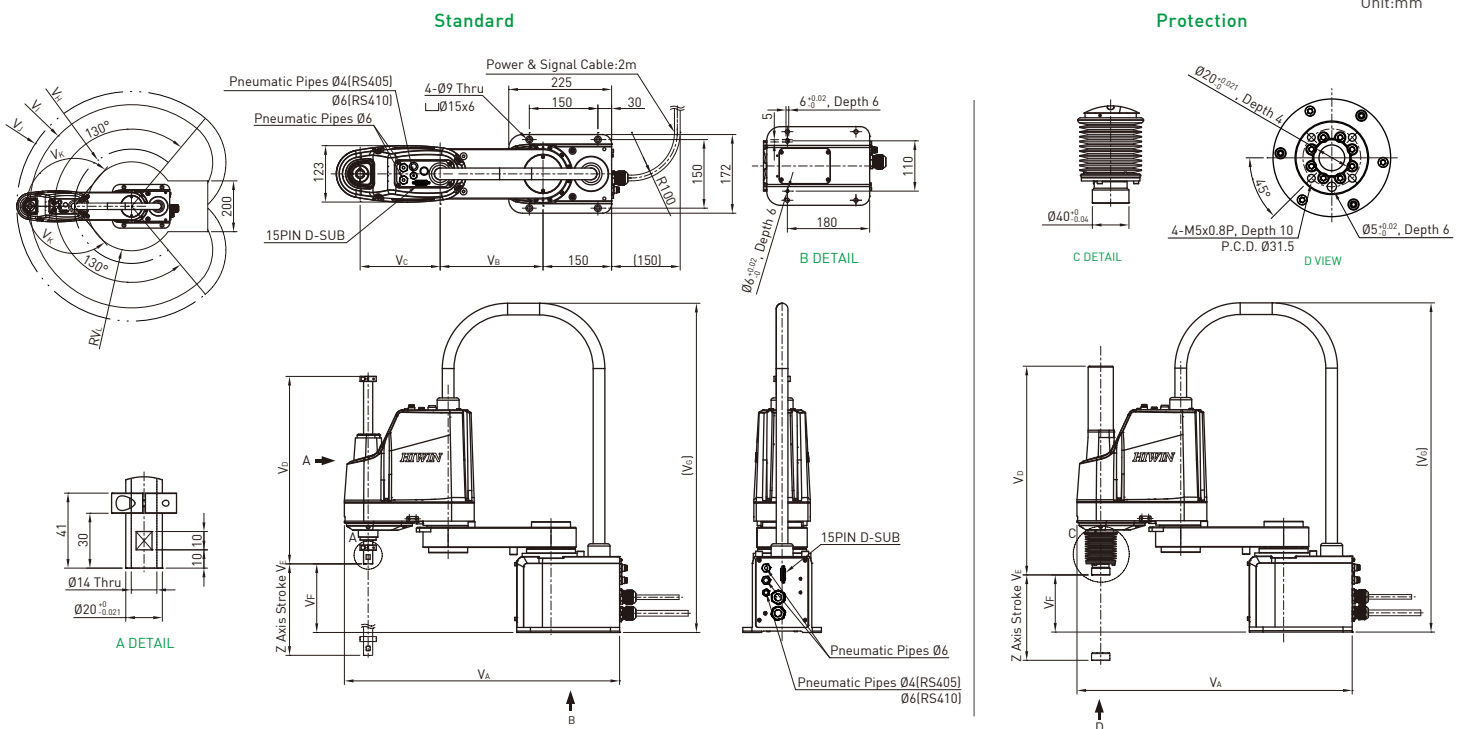
Model		RS405-LU		RS410-LU		
Degrees of freedom		4				
Rated/Max. payload [kg]		2/5		5/10		
Max. working radius [mm]		400	500	600	700	800
Working range	J1[deg]	±130				
	J2[deg]	±130		±150		
	J3[mm]	200/400				
	J4[deg]	±360				
Cycle time[s]*Note 1		0.42		0.52		
Repeatability	J1+J2[mm]	±0.01	±0.02	±0.02	±0.02	±0.025
	J3[mm]	±0.01				
	J4[deg]	±0.01				
Pneumatic joint [mm]		Ø6x2, Ø4x1		Ø6x3		
Weight[kg]		22	23	30	31	32
Protection rating		IP20/★IP40				
Controller		RC4-A				
Safety/Environmental standard		CE/RoHS2.0				
Environment		Standard				

★ Optional * Note 1: Based on a back-and-forth movement over a vertical distance of 25mm and a horizontal distance of 100mm.

Dimensions

Model / Dimensions	V _A	V _B	V _C	V _D	V _E	V _F	V _G	V _H	V _I	V _J	V _K	V _L
RS405-400-200(20P)-LU	602	225	175	410(456.5)	200	150(125)	720	R225	R400	R452	130°	R175.1
RS405-400-400(40P)-LU				610(655)	400							R251.3
RS405-500-200(20P)-LU	702	325	175	410(456.5)	200	148(123)	720	R325	R500	R552	130°	R251.3
RS405-500-400(40P)-LU				610(655)	400							R251.3
RS410-600-200(20P)-LU	816	325	275	410(461)	200	167(142)	780	R325	R600	R666	150°	R162.7
RS410-600-400(40P)-LU				610(661)	400							R162.7
RS410-700-200(20P)-LU	916	425	275	410(459)	200	167(142)	780	R425	R700	R766	150°	R232
RS410-700-400(40P)-LU				610(659)	400							R232
RS410-800-200(20P)-LU	1016	525	275	410(459)	200	167(142)	780	R525	R800	R866	150°	R318.1
RS410-800-400(40P)-LU				610(659)	400							R318.1

Unit:mm



Controller Series



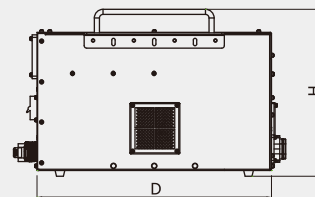
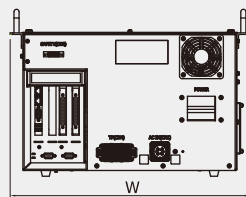
RCA605-GC / RCA610-GC



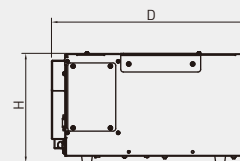
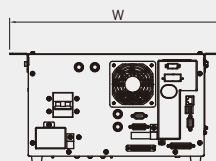
RCA605-GB



RC4-A



RCA605-GC / RCA610-GC / RCA605-GB



RC4-A

Specifications

Model	RCA605-GC	RCA610-GC	RCA605-GB	RC4-A	
Control number of axes	6	6	6	4	
Weight[kg]	29	34	29	14	
Power	Input voltage / frequency	1Ø200-240V 50/60Hz	1Ø200-240V 50/60Hz	1Ø200-240V 50/60Hz	
	Max. current(A)	8A	18A	8A	
Input/Output *Note 2	Function I/O	8 in/8 out	8 in/8 out	8 in/8 out	
	Digital I/O	24 in/24 out	24 in/24 out	16 in/8 out	
Communication interface	RS232	✓	✓	✓	
	RS485 [Modbus-RTU]	✓	✓	-	
	Ethernet	✓	✓	✓	
	★ Fieldbus	CC-Link, PROFINET	CC-Link, PROFINET	CC-Link, PROFINET	CC-Link, ProfiNet or EtherNet IP [2 choose 1]
	USB	✓	✓	✓	✓
Teaching method	Teach pendant/HRSDK	Teach pendant/HRSDK	Teach pendant/HRSDK	★Teach pendant /Remote/HRSDK	
Ambient temperature [°C]	0-45	0-45	0-45	5-45	
Ambient humidity [%]	20-75 (Non-condensing)	20-75 (Non-condensing)	20-75 (Non-condensing)	20-75 (Non-condensing)	
Protection rating	IP23	IP23	IP20	IP23	
Dimensions(WxHxD)(mm)*Note 3	470 x 328 x 460	470 x 328 x 554	470 x 328 x 460	400 x 205 x 387	
Safety/Environmental standard	CE/RoHS2.0	CE/RoHS2.0	-	CE/RoHS2.0	

★ Optional

* Note 1: If the regional power source is 3Ø 380V, an additional transformer(3Ø 380V to 220V, 2KVA) should be applied.

Note 2: I/O can be expanded.

Note 3: Dimensions needed for cable installation is not included in the drawing.

Global Sales and Customer Service Site

HIWIN GmbH

OFFENBURG, GERMANY
www.hiwin.de
www.hiwin.eu
info@hiwin.de

HIWIN Schweiz GmbH

JONA, SWITZERLAND
www.hiwin.ch
info@hiwin.ch

HIWIN KOREA

SUWON • CHANGWON, KOREA
www.hiwin.kr
info@hiwin.kr

HIWIN JAPAN

KOBE • NAGOYA • TOKYO • TOHOKU •
NAGANO • SHIZUOKA • HOKURIKU •
HIROSHIMA • FUKUOKA • KUMAMOTO,
JAPAN
www.hiwin.co.jp
info@hiwin.co.jp

HIWIN s.r.o.

BRNO, CZECH REPUBLIC
www.hiwin.cz
info@hiwin.cz

HIWIN CHINA

SUZHOU, CHINA
www.hiwin.cn
info@hiwin.cn

HIWIN USA

CHICAGO, U.S.A.
www.hiwin.us
info@hiwin.com

HIWIN FRANCE

STRASBOURG, FRANCE
www.hiwin.fr
info@hiwin.de

Mega-Fabs Motion Systems, Ltd.

HAIFA, ISRAEL
www.mega-fabs.com
info@mega-fabs.com

HIWIN Srl

BRUGHERIO, ITALY
www.hiwin.it
info@hiwin.it

HIWIN SINGAPORE

SINGAPORE
www.hiwin.sg
info@hiwin.sg

HIWIN®

HIWIN TECHNOLOGIES CORP.

No. 7, Jingke Road,
Taichung Precision Machinery Park,
Taichung 40852, Taiwan
Tel: +886-4-23594510
Fax: +886-4-23594420
www.hiwin.tw
www.hiwin.support.com
business@hiwin.tw (Sales)
robotservice@hiwin.tw (Customer Service)

- HIWIN is a registered trademark of HIWIN Technologies Corp.. For your protection, avoid buying counterfeit products from unknown sources.
- Actual products may differ from specifications and photos provided in this catalog. These differences may be the result of various factors including product improvements.
- HIWIN website for patented product directory: http://www.hiwin.tw/Products/Products_patents.aspx
- HIWIN will not sell or export products or processes restricted under the "Foreign Trade Act" or related regulations. Export of restricted products should be approved by proper authorities in accordance with relevant laws and shall not be used to manufacture or develop nuclear, biochemical, missiles or other weapons.

The specifications in this catalog are subject to change without notification.

Copyright © HIWIN Technologies Corp.

©2023 FORM C99DE13-2308 (PRINTED IN TAIWAN)