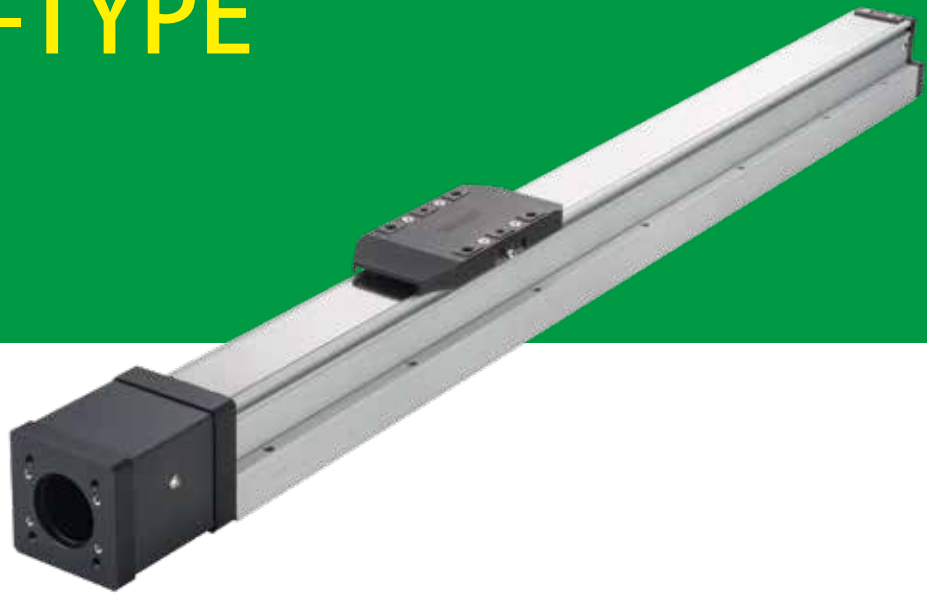


SINGLE-AXIS ROBOT
KC B-TYPE



HIWIN Support

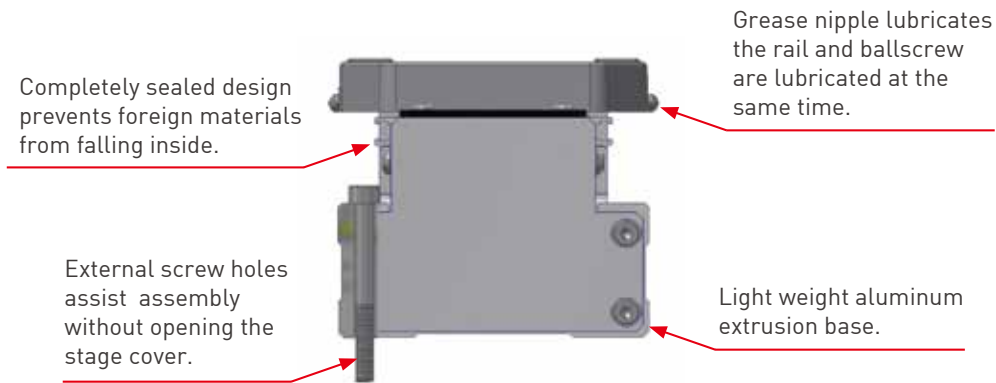


About HIWIN

Features /

- Easy installation : Easy to install the product without opening the stage cover.
- Easy maintenance: The grease nipple offers lubrication to the rail and ballscrew at the same time. ⁽¹⁾
- Higher performance:10~30% loading capacity increased. ⁽²⁾

Note: 1: Maintain and lubricate every 3 months or every 100km. If the working frequency or load are higher than suggested value, please shorten the maintenance cycle.
 2: The B-TYPE increases load capacity up to 30%, compared to KC A-TYPE.

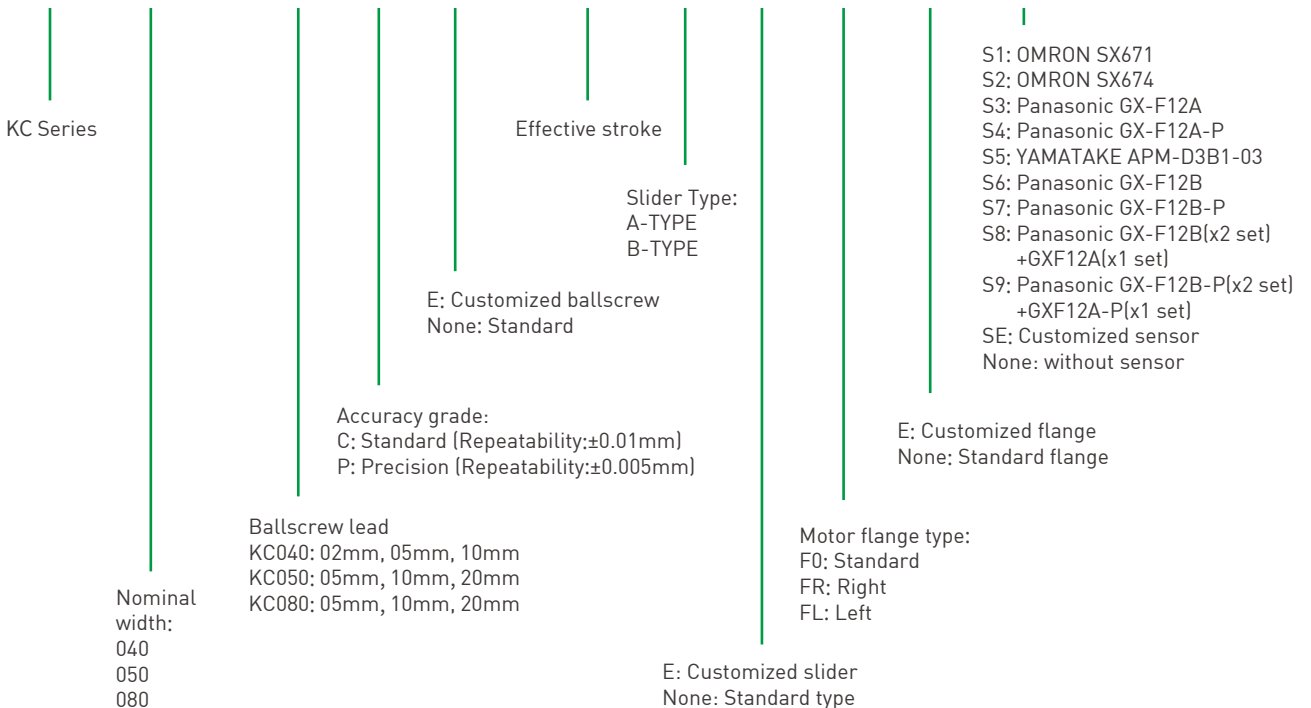


Applications /

Suitable for PCB, semiconductor, material handling, welding, multi-axis, automation equipment etc..

Model Number /

KC 050 - 10 C E - 500 B E F0 E S2

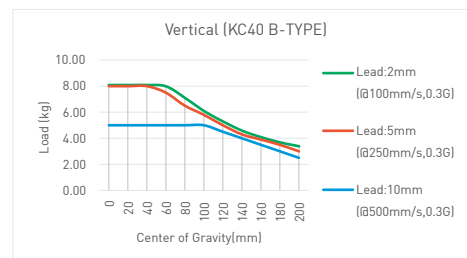
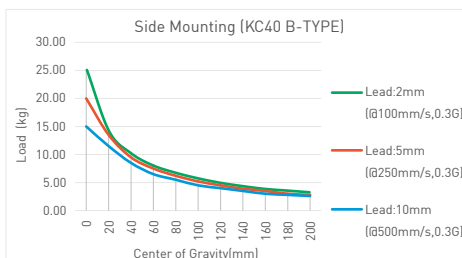
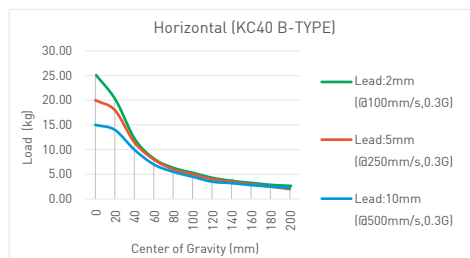


Specifications /

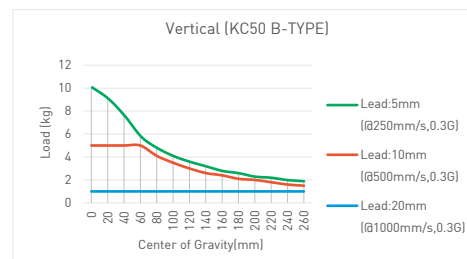
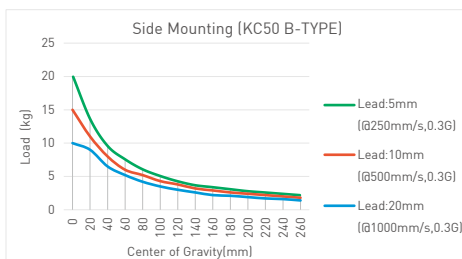
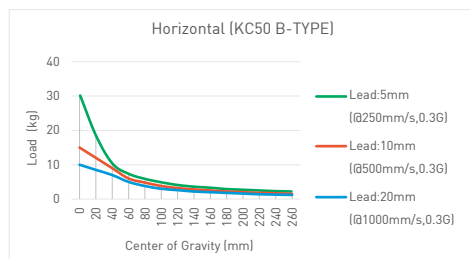
		KC040 B-TYPE			KC050 B-TYPE			KC080 B-TYPE		
Motor Power		100W			100W			400W		
Lead (mm)		2	5	10	5	10	20	5	10	20
Max Linear Speed (mm/s) ⁽¹⁾		100	250	500	250	500	1000	250	500	1000
Max Load (kg) ⁽²⁾	Horizontal Application	25	20	15	30	15	10	50	30	20
	Vertical Application	8	8	5	10	5	3	15	8	3
Ballscrew Outside Diameter (mm)		10			12			15		
Repeatability (mm)		±0.01 / ±0.005								
Effective Stroke (mm)		50-800			50-800			50-1100		
Rated Static Load (N-m)	MP	79			103			650		
	MR	116			159			770		
	MY	79			103			650		
Remark	1: Vibration might occur when the effective stroke is longer than 550-750mm, the maximum speed should be decreased 15% for every 100mm of increased stroke. 2: Assumes the load's center of gravity is at the center of the slide. Max load happens when the material gravity is at the center of the slider and linear speed is within the max limitation.									

Load and Center of Gravity Offset /

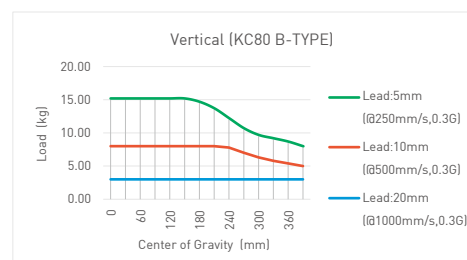
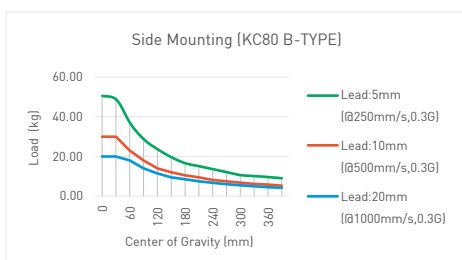
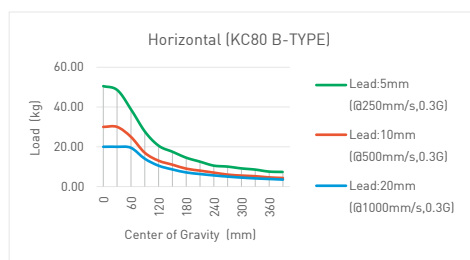
● KC040 B-TYPE



● KC050 B-TYPE



● KC080 B-TYPE



Belt Tension /

Please follow below chart's suggestion to avoid abnormal tension while assembling the belt to motor. With abnormal tension might deform end machining area, causing noise issue, shaft damage, or deviation while driving the belt.

Specification	Blet Specification	Center distance(mm)	Suggested tension value(N)
KC040 B-TYPE-FR(L)	192-2GT-9	52	11-15
KC050 B-TYPE-FR(L)	204-2GT-9	58	11-16
KC080 B-TYPE-FR(L)	315-5GT-15	77.5	30-44

Note: 1: After belt assembled with motor please check the tension value with tensometer.
 2: The tension cannot exceed the suggested value is to avoid deform or damage the end machining area.
 3: After using one month later, please check and adjust the tension value. And each 3 months or 100 km must check again.

Motor Flange Types /

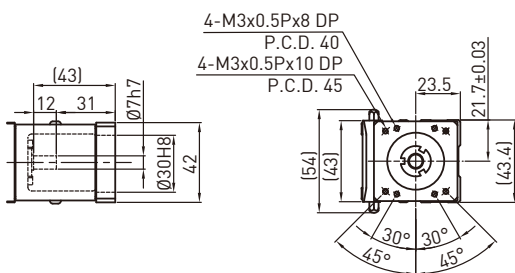
	HIWIN AC Servo Motor	Mitsubishi AC Servo Motor	Panasonic AC Servo Motor	Yaskawa AC Servo Motor	Delta AC Servo Motor	Inovance AC Servo Motor	Simotics AC Servo Motor
KC040 B-TYPE (50W/100W)	F0 (M3x0.5P, PCD45)	F1 (M4x0.7P, PCD46)	F0 (M3x0.5P, PCD45)	F1 (M4x0.7P, PCD46)	F1 (M4x0.7P, PCD46)	F1 (M4x0.7P, PCD46)	F1 (M4x0.7P, PCD46)
KC050 B-TYPE (50W/100W)	F0 (M3x0.5P, PCD45)	F1 (M4x0.7P, PCD46)	F0 (M3x0.5P, PCD45)	F1 (M4x0.7P, PCD46)	F1 (M4x0.7P, PCD46)	F1 (M4x0.7P, PCD46)	F1 (M4x0.7P, PCD46)
KC050 B-TYPE (200W)	F2 (M5x0.8P, PCD70)	F2 (M5x0.8P, PCD70)	F3 (M4x0.7P, PCD70)	F2 (M5x0.8P, PCD70)	F2 (M5x0.8P, PCD70)	F2 (M5x0.8P, PCD70)	F2 (M5x0.8P, PCD70)
KC080 B-TYPE (50W/100W)	F5 (M3x0.5P, PCD45)	F4 (M4x0.7P, PCD46)	F5 (M3x0.5P, PCD45)	F4 (M4x0.7P, PCD46)	F4 (M4x0.7P, PCD46)	F4 (M4x0.7P, PCD46)	F4 (M4x0.7P, PCD46)
KC080 B-TYPE (200W/400W)	F0 (M5x0.8P, PCD70)	F0 (M5x0.8P, PCD70)	F1 (M4x0.7P, PCD70)	F0 (M5x0.8P, PCD70)	F0 (M5x0.8P, PCD70)	F0 (M5x0.8P, PCD70)	F0 (M5x0.8P, PCD70)
KC080 B-TYPE (750W)	F3 (M6x1P, PCD90)	F3 (M6x1P, PCD90)	F2 (M5x0.8P, PCD90)	F3 (M6x1P, PCD90)	F3 (M6x1P, PCD90)	F3 (M6x1P, PCD90)	F3 (M6x1P, PCD90)

Note: 1: The flange type can be selected according to the hole dimension and PCD on the above table.
 2: The above flange holes are 45 degree symmetrical hole.
 3: Flexible coupling is preferred and recommended. If spring coupling is considered, please choose double spring type.
 4: Be careful of the concentricity and alignment while installing the motor.

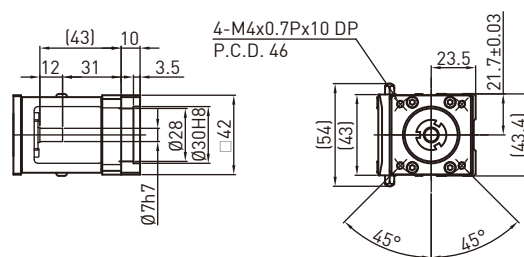
Motor Housing and Motor Adaptor Flange /

● KC040 B-TYPE

Motor Housing F0

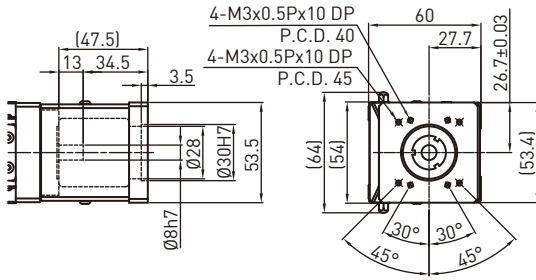


Motor Adaptor Flange F1

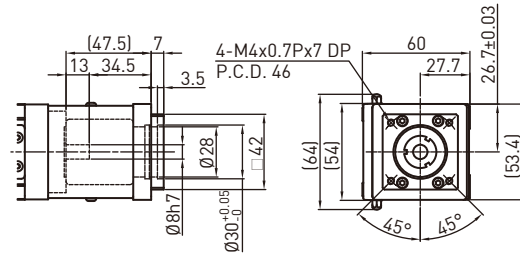


● KC050 B-TYPE

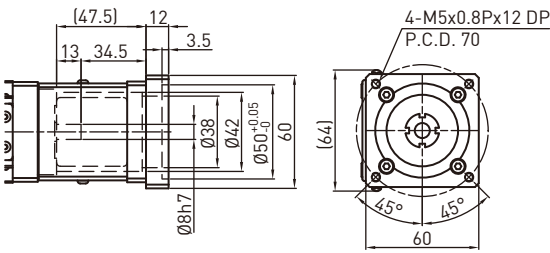
Motor Housing F0



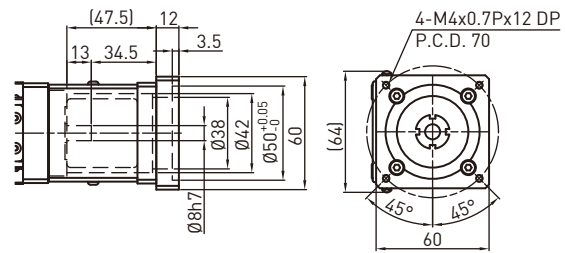
Motor Adaptor Flange F1



Motor Adaptor Flange F2

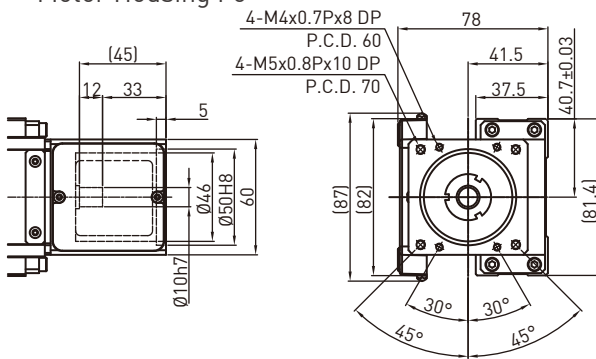


Motor Adaptor Flange F3

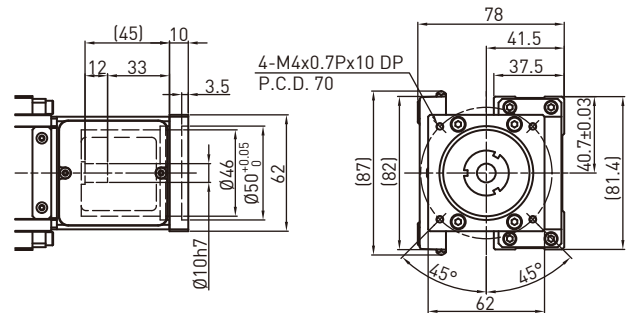


● KC080 B-TYPE

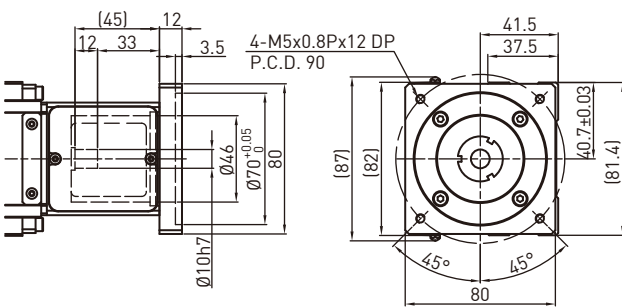
Motor Housing F0



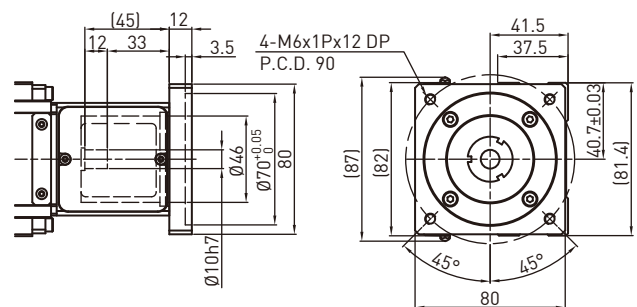
Motor Adaptor Flange F1



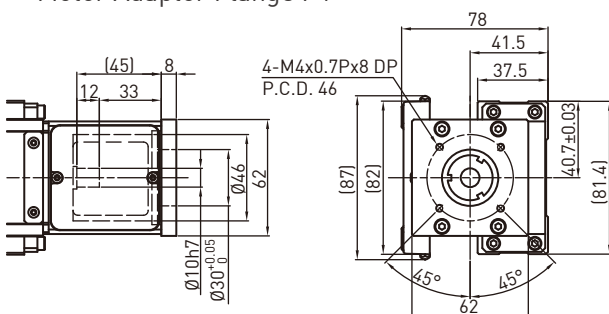
Motor Adaptor Flange F2



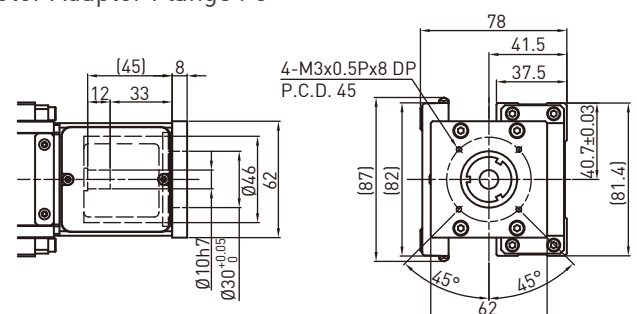
Motor Adaptor Flange F3



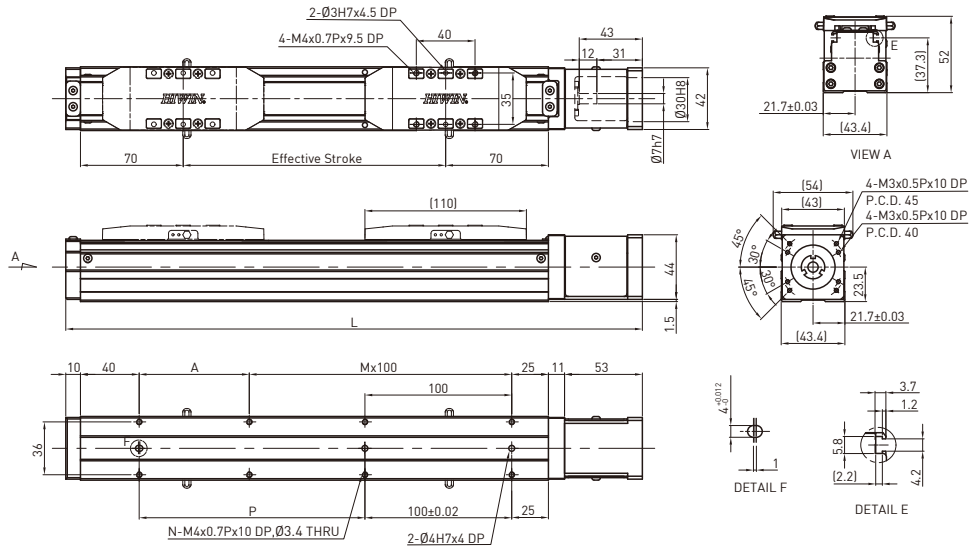
Motor Adaptor Flange F4



Motor Adaptor Flange F5



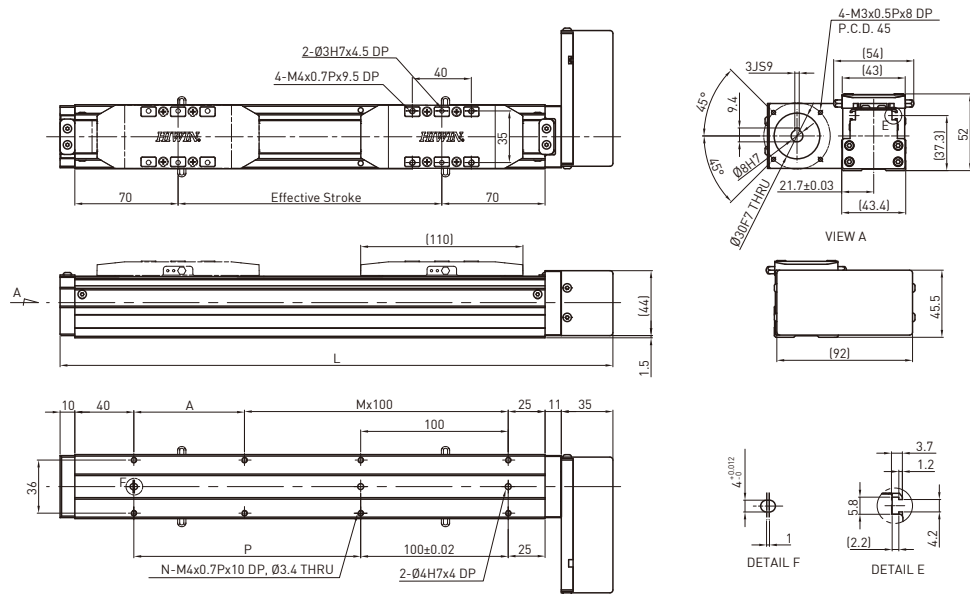
KC040 B-TYPE - F0



Unit:mm

Effective Stroke	50	100	150	200	250	300	350	400	450	500	550	600	650	700	750	800
L	264	314	364	414	464	514	564	614	664	714	764	814	864	914	964	1014
M	1	1	2	2	3	3	4	4	5	5	6	6	7	7	8	8
N	6	6	8	8	10	10	12	12	14	14	16	16	18	18	20	20
P	25	75	125	175	225	275	325	375	425	475	525	575	625	675	725	775
A	25	75	25	75	25	75	25	75	25	75	25	75	25	75	25	75
Weight(kg)	1.3	1.42	1.54	1.66	1.78	1.9	2.02	2.14	2.26	2.38	2.5	2.62	2.74	2.86	2.98	3.1

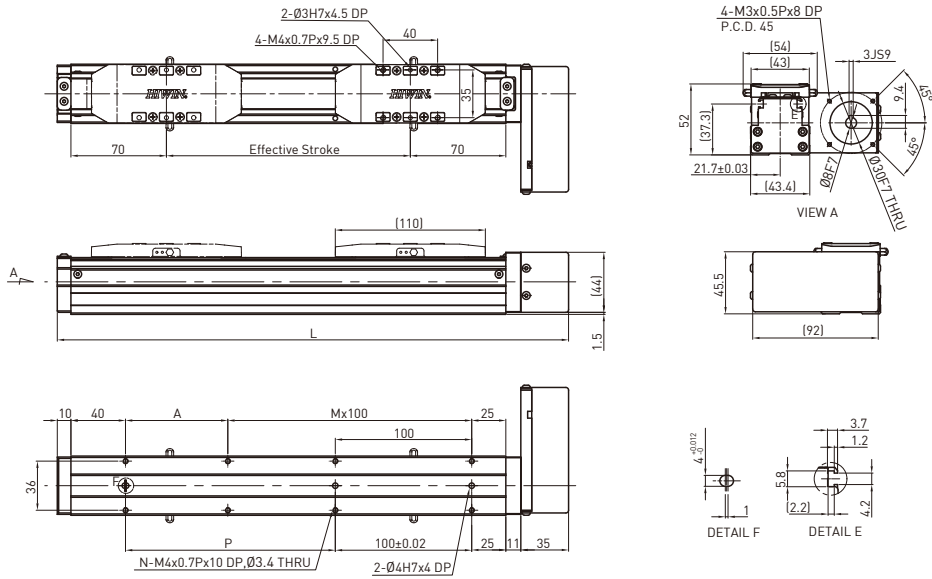
KC040 B-TYPE - FR



Unit:mm

Effective Stroke	50	100	150	200	250	300	350	400	450	500	550	600	650	700	750	800
L	246	296	346	396	446	496	546	596	646	696	746	796	846	896	946	996
M	1	1	2	2	3	3	4	4	5	5	6	6	7	7	8	8
N	6	6	8	8	10	10	12	12	14	14	16	16	18	18	20	20
P	25	75	125	175	225	275	325	375	425	475	525	575	625	675	725	775
A	25	75	25	75	25	75	25	75	25	75	25	75	25	75	25	75
Weight(kg)	1.34	1.46	1.58	1.7	1.82	1.94	2.06	2.18	2.3	2.42	2.54	2.66	2.78	2.9	3.02	3.14

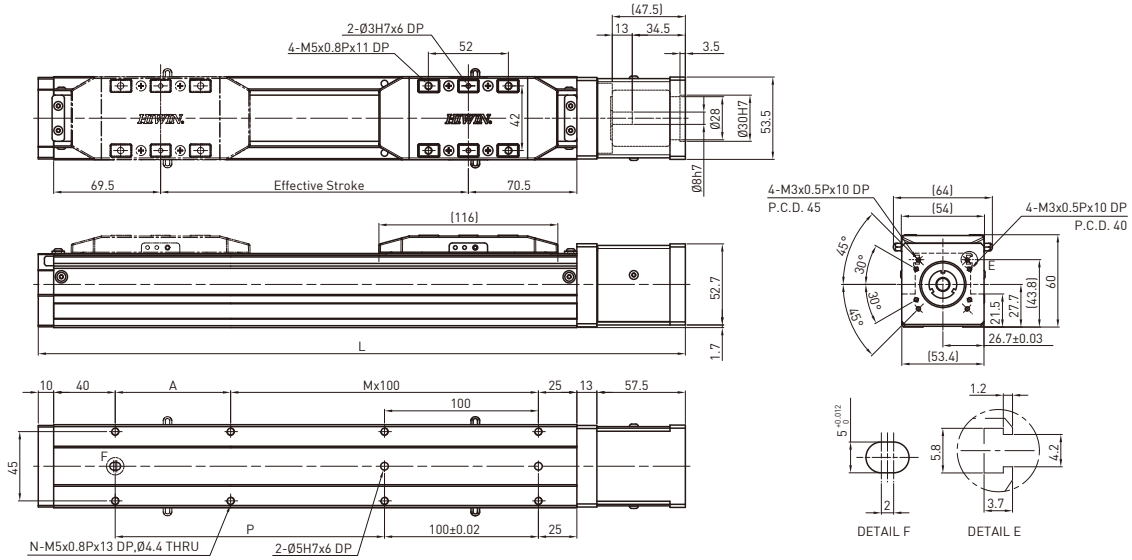
KC040 B-TYPE - FL



Unit:mm

Effective Stroke	50	100	150	200	250	300	350	400	450	500	550	600	650	700	750	800
L	246	296	346	396	446	496	546	596	646	696	746	796	846	896	946	996
M	1	1	2	2	3	3	4	4	5	5	6	6	7	7	8	8
N	6	6	8	8	10	10	12	12	14	14	16	16	18	18	20	20
P	25	75	125	175	225	275	325	375	425	475	525	575	625	675	725	775
A	25	75	25	75	25	75	25	75	25	75	25	75	25	75	25	75
Weight(kg)	1.34	1.46	1.58	1.7	1.82	1.94	2.06	2.18	2.3	2.42	2.54	2.66	2.78	2.9	3.02	3.14

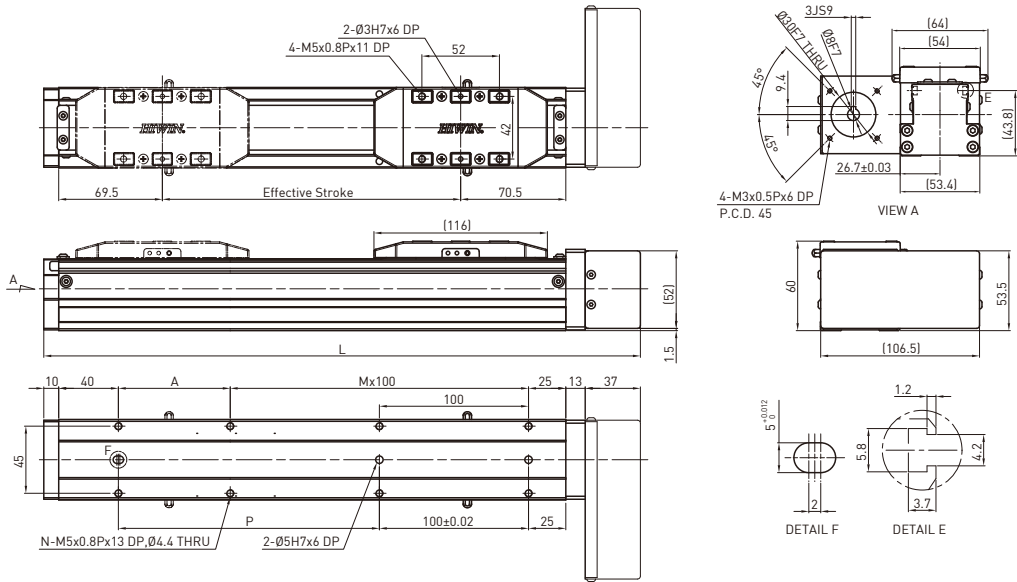
KC050 B-TYPE - F0



Unit:mm

Effective Stroke	50	100	150	200	250	300	350	400	450	500	550	600	650	700	750	800
L	270.5	320.5	370.5	420.5	470.5	520.5	570.5	620.5	670.5	720.5	770.5	820.5	870.5	920.5	970.5	1020.5
M	1	1	2	2	3	3	4	4	5	5	6	6	7	7	8	8
N	6	6	8	8	10	10	12	12	14	14	16	16	18	18	20	20
P	25	75	125	175	225	275	325	375	425	475	525	575	625	675	725	775
A	25	75	25	75	25	75	25	75	25	75	25	75	25	75	25	75
Weight(kg)	1.2	1.4	1.6	1.8	2	2.2	2.4	2.6	2.8	3	3.2	3.4	3.6	3.8	4	4.2

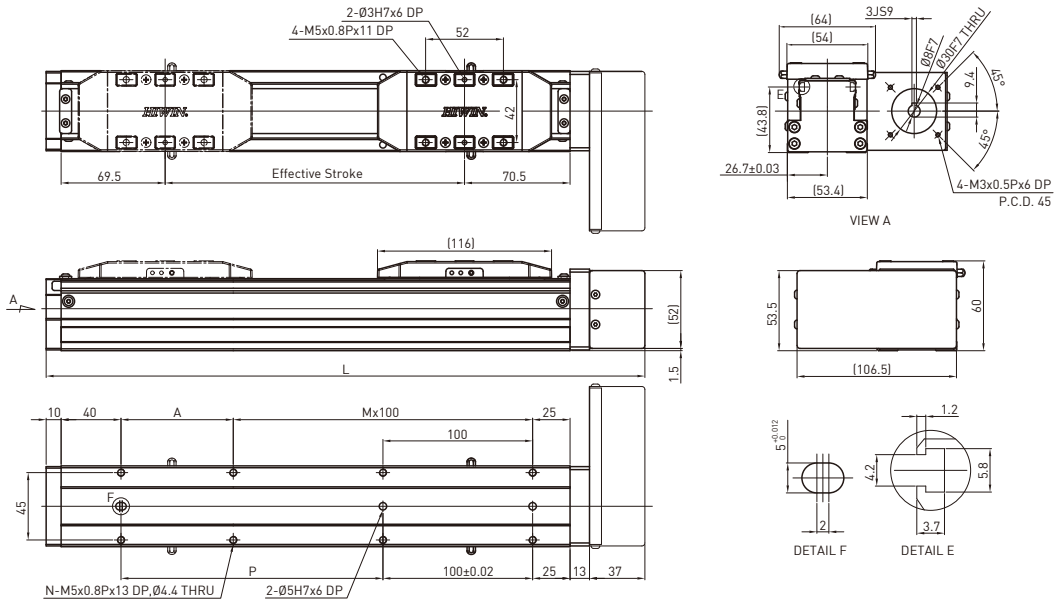
KC050 B-TYPE - FR



Unit:mm

Effective Stroke	50	100	150	200	250	300	350	400	450	500	550	600	650	700	750	800
L	250	300	350	400	450	500	550	600	650	700	750	800	850	900	950	1000
M	1	1	2	2	3	3	4	4	5	5	6	6	7	7	8	8
N	6	6	8	8	10	10	12	12	14	14	16	16	18	18	20	20
P	25	75	125	175	225	275	325	375	425	475	525	575	625	675	725	775
A	25	75	25	75	25	75	25	75	25	75	25	75	25	75	25	75
Weight(kg)	1.6	1.8	2	2.2	2.4	2.6	2.8	3	3.2	3.4	3.6	3.8	4	4.2	4.4	4.6

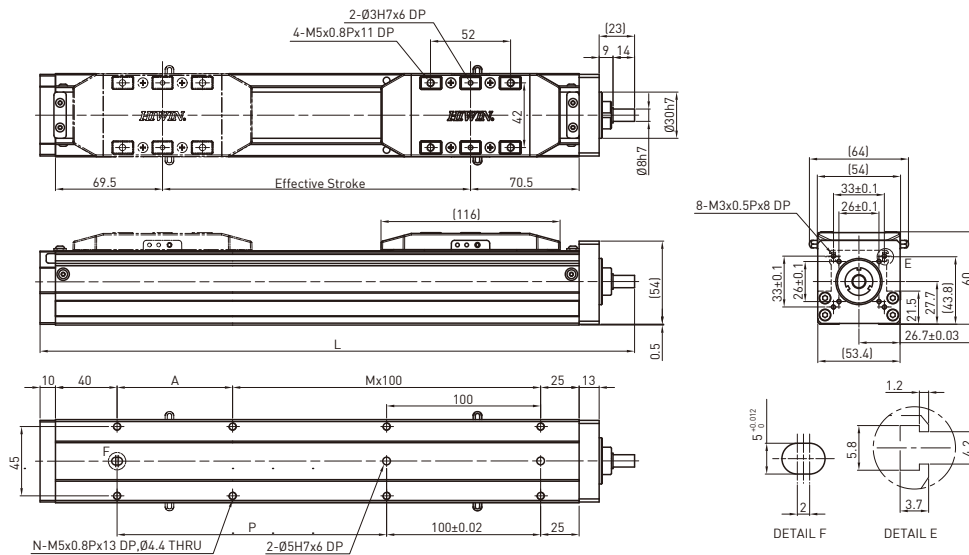
KC050 B-TYPE - FL



Unit:mm

Effective Stroke	50	100	150	200	250	300	350	400	450	500	550	600	650	700	750	800
L	250	300	350	400	450	500	550	600	650	700	750	800	850	900	950	1000
M	1	1	2	2	3	3	4	4	5	5	6	6	7	7	8	8
N	6	6	8	8	10	10	12	12	14	14	16	16	18	18	20	20
P	25	75	125	175	225	275	325	375	425	475	525	575	625	675	725	775
A	25	75	25	75	25	75	25	75	25	75	25	75	25	75	25	75
Weight(kg)	1.6	1.8	2	2.2	2.4	2.6	2.8	3	3.2	3.4	3.6	3.8	4	4.2	4.4	4.6

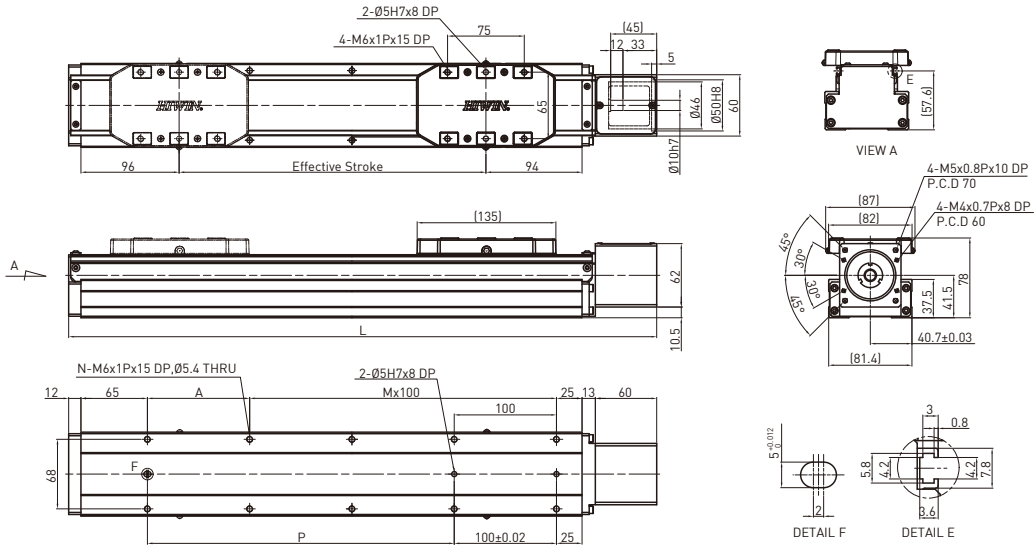
KC050 B-TYPE - H0



Unit:mm

Effective Stroke	50	100	150	200	250	300	350	400	450	500	550	600	650	700	750	800
L	236	286	336	386	436	486	536	586	636	686	736	786	836	886	936	986
M	1	1	2	2	3	3	4	4	5	5	6	6	7	7	8	8
N	6	6	8	8	10	10	12	12	14	14	16	16	18	18	20	20
P	25	75	125	175	225	275	325	375	425	475	525	575	625	675	725	775
A	25	75	25	75	25	75	25	75	25	75	25	75	25	75	25	75
Weight(kg)	1	1.2	1.4	1.6	1.8	2	2.2	2.4	2.6	2.8	3	3.2	3.4	3.6	3.8	4

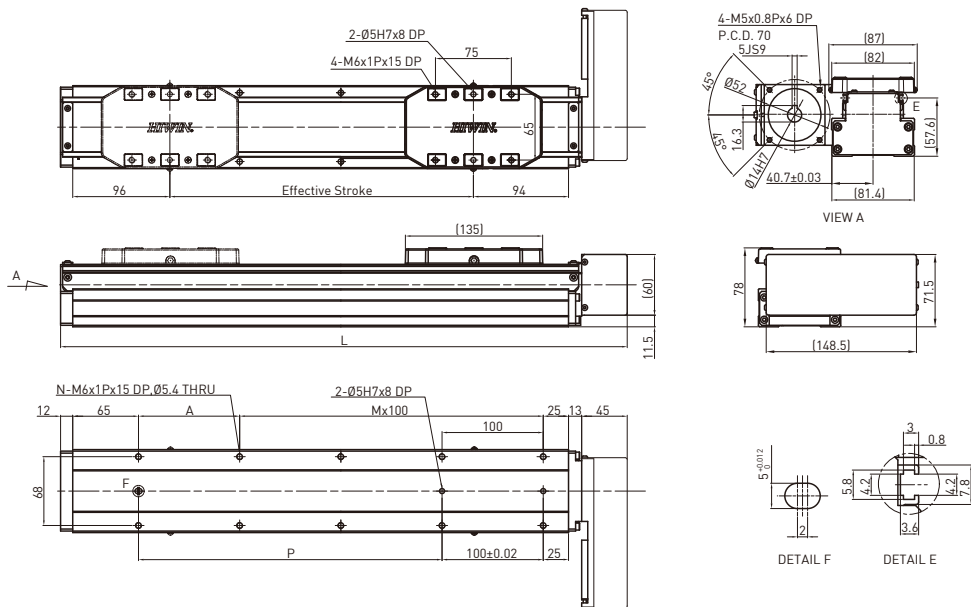
KC080 B-TYPE - FO



Unit:mm

Effective Stroke	50	100	150	200	250	300	350	400	450	500	550	600	650	700	750	800	850	900	950	1000	1050	1100
L	325	375	425	475	525	575	625	675	725	775	825	875	925	975	1025	1075	1125	1175	1225	1275	1325	1375
M	1	1	2	2	3	3	4	4	5	5	6	6	7	7	8	8	9	9	10	10	11	11
N	6	6	8	8	10	10	12	12	14	14	16	16	18	18	20	20	22	22	24	24	26	26
P	50	100	150	200	250	300	350	400	450	500	550	600	650	700	750	800	850	900	950	1000	1050	1100
A	50	100	50	100	50	100	50	100	50	100	50	100	50	100	50	100	50	100	50	100	50	100
Weight(kg)	5.2	5.5	5.8	6.1	6.4	6.7	7	7.3	7.6	7.9	8.2	8.5	8.8	9.1	9.4	9.7	10	10.3	10.6	10.9	11.2	11.5

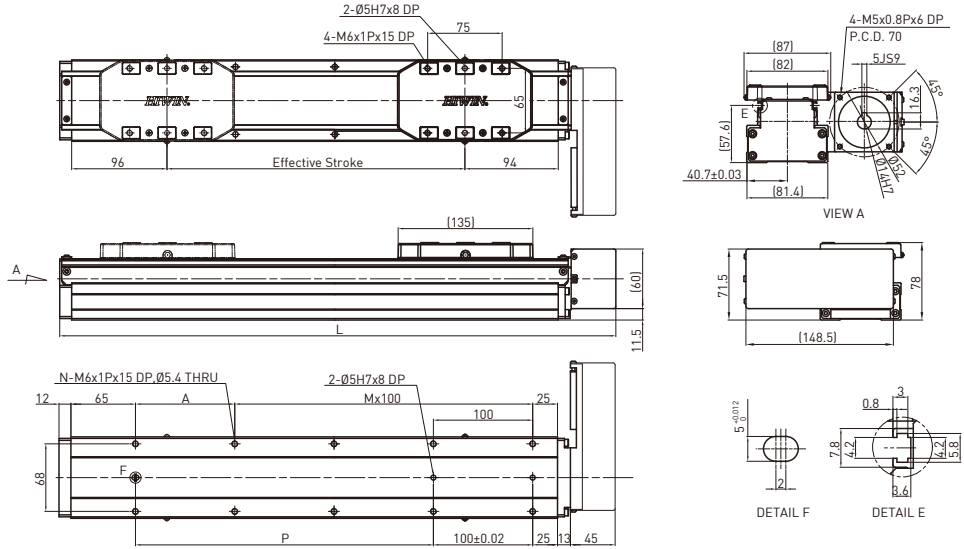
KC080 B-TYPE - FR



Unit:mm

Effective Stroke	50	100	150	200	250	300	350	400	450	500	550	600	650	700	750	800	850	900	950	1000	1050	1100
L	310	360	410	460	510	560	610	660	710	760	810	860	910	960	1010	1060	1110	1160	1210	1260	1310	1360
M	1	1	2	2	3	3	4	4	5	5	6	6	7	7	8	8	9	9	10	10	11	11
N	6	6	8	8	10	10	12	12	14	14	16	16	18	18	20	20	22	22	24	24	26	26
P	50	100	150	200	250	300	350	400	450	500	550	600	650	700	750	800	850	900	950	1000	1050	1100
A	50	100	50	100	50	100	50	100	50	100	50	100	50	100	50	100	50	100	50	100	50	100
Weight(kg)	5.6	5.9	6.2	6.5	6.8	7.1	7.4	7.7	8	8.3	8.6	8.9	9.2	9.5	9.8	10.1	10.4	10.7	11	11.3	11.6	11.9

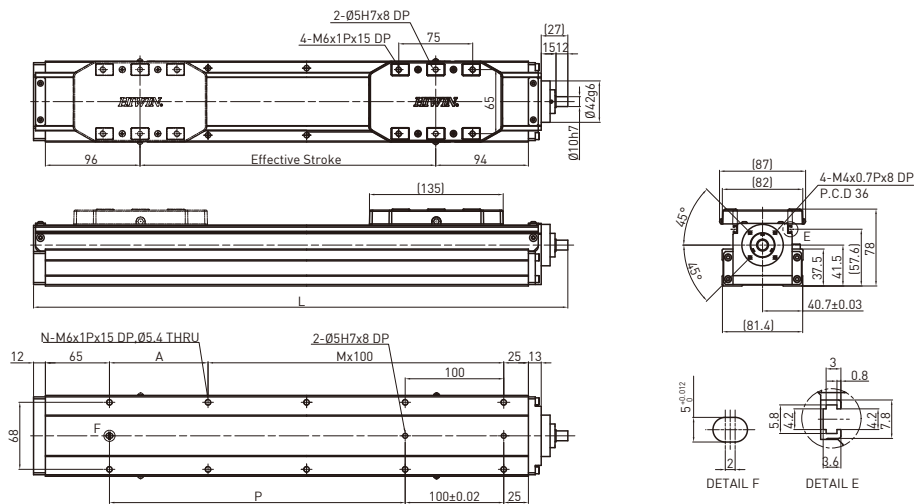
KC080 B-TYPE - FL



Unit:mm

Effective Stroke	50	100	150	200	250	300	350	400	450	500	550	600	650	700	750	800	850	900	950	1000	1050	1100
L	310	360	410	460	510	560	610	660	710	760	810	860	910	960	1010	1060	1110	1160	1210	1260	1310	1360
M	1	1	2	2	3	3	4	4	5	5	6	6	7	7	8	8	9	9	10	10	11	11
N	6	6	8	8	10	10	12	12	14	14	16	16	18	18	20	20	22	22	24	24	26	26
P	50	100	150	200	250	300	350	400	450	500	550	600	650	700	750	800	850	900	950	1000	1050	1100
A	50	100	50	100	50	100	50	100	50	100	50	100	50	100	50	100	50	100	50	100	50	100
Weight(kg)	5.6	5.9	6.2	6.5	6.8	7.1	7.4	7.7	8	8.3	8.6	8.9	9.2	9.5	9.8	10.1	10.4	10.7	11	11.3	11.6	11.9

KC080 B-TYPE - H0



Unit:mm

Effective Stroke	50	100	150	200	250	300	350	400	450	500	550	600	650	700	750	800	850	900	950	1000	1050	1100
L	292	342	392	442	492	542	592	642	692	742	792	842	892	942	992	1042	1092	1142	1192	1242	1292	1342
M	1	1	2	2	3	3	4	4	5	5	6	6	7	7	8	8	9	9	10	10	11	11
N	6	6	8	8	10	10	12	12	14	14	16	16	18	18	20	20	22	22	24	24	26	26
P	50	100	150	200	250	300	350	400	450	500	550	600	650	700	750	800	850	900	950	1000	1050	1100
A	50	100	50	100	50	100	50	100	50	100	50	100	50	100	50	100	50	100	50	100	50	100
Weight(kg)	4.9	5.2	5.5	5.8	6.1	6.4	6.7	7	7.3	7.6	7.9	8.2	8.5	8.8	9.1	9.4	9.7	10	10.3	10.6	10.9	11.2

Global Sales and Customer Service Site

HIWIN GmbH

OFFENBURG, GERMANY
www.hiwin.de
www.hiwin.eu
info@hiwin.de

HIWIN Schweiz GmbH

JONA, SWITZERLAND
www.hiwin.ch
info@hiwin.ch

HIWIN KOREA

SUWON • CHANGWON, KOREA
www.hiwin.kr
info@hiwin.kr

HIWIN JAPAN

KOBE • NAGOYA • TOKYO • TOHOKU •
NAGANO • SHIZUOKA • HOKURIKU •
HIROSHIMA • FUKUOKA • KUMAMOTO,
JAPAN
www.hiwin.co.jp
info@hiwin.co.jp

HIWIN s.r.o.

BRNO, CZECH REPUBLIC
www.hiwin.cz
info@hiwin.cz

HIWIN CHINA

SUZHOU, CHINA
www.hiwin.cn
info@hiwin.cn

HIWIN USA

CHICAGO, U.S.A.
www.hiwin.us
info@hiwin.com

HIWIN FRANCE

STRASBOURG, FRANCE
www.hiwin.fr
info@hiwin.de

Mega-Fabs Motion Systems, Ltd.

HAIFA, ISRAEL
www.mega-fabs.com
info@mega-fabs.com

HIWIN Srl

BRUGHERIO, ITALY
www.hiwin.it
info@hiwin.it

HIWIN SINGAPORE

SINGAPORE
www.hiwin.sg
info@hiwin.sg

HIWIN®

HIWIN TECHNOLOGIES CORP.

No. 7, Jingke Road,
Taichung Precision Machinery Park,
Taichung 40852, Taiwan
Tel: +886-4-23594510
Fax: +886-4-23594420
www.hiwin.tw
www.hiwin.support.com
business@hiwin.tw

- HIWIN is a registered trademark of HIWIN Technologies Corp.. For your protection, avoid buying counterfeit products from unknown sources.
- Actual products may differ from specifications and photos provided in this catalog. These differences may be the result of various factors including product improvements.
- HIWIN website for patented product directory: http://www.hiwin.tw/Products/Products_patents.aspx
- HIWIN will not sell or export products or processes restricted under the "Foreign Trade Act" or related regulations. Export of restricted products should be approved by proper authorities in accordance with relevant laws and shall not be used to manufacture or develop nuclear, biochemical, missiles or other weapons.

The specifications in this catalog are subject to change without notification.

Copyright © HIWIN Technologies Corp.

©2023 FORM K10DE03-2306 (PRINTED IN TAIWAN)